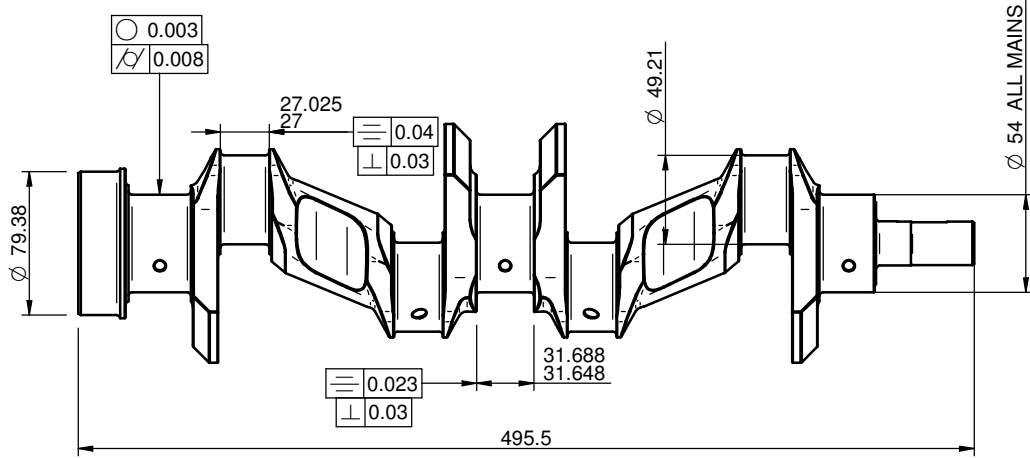
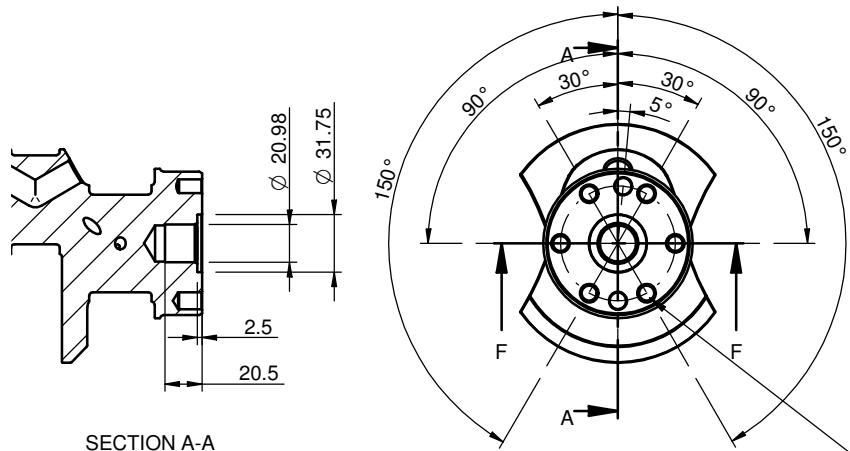
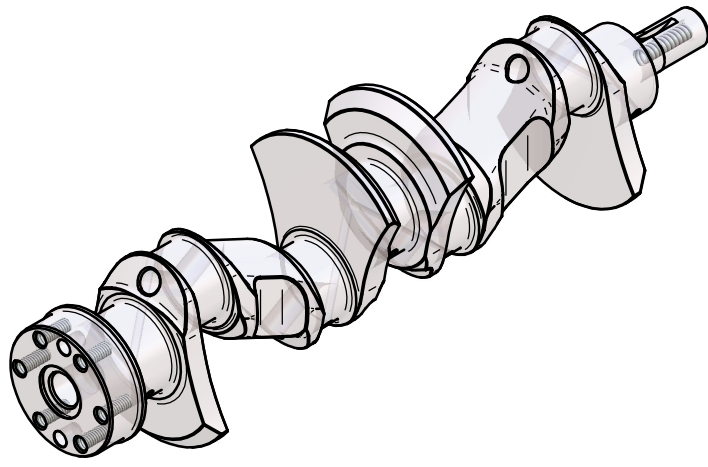
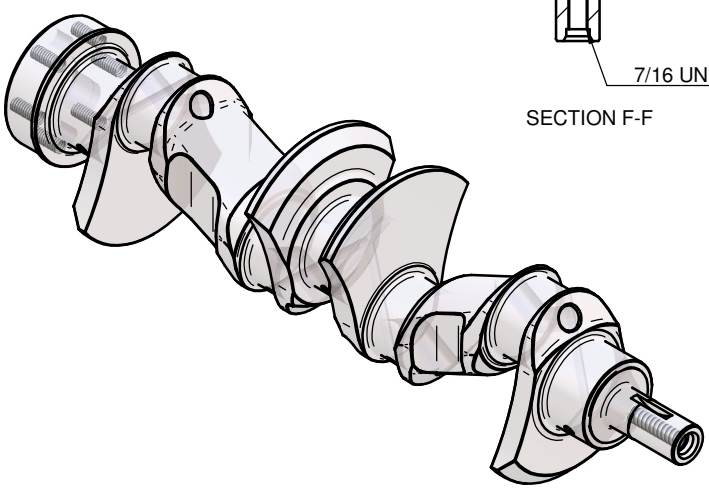
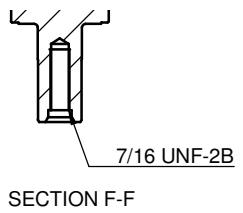


DO NOT SCALE; IF IN DOUBT ASK

B	C	D	E	F	G	No.	Loc.	Description	ECR No.	Date	By
						1		NEW DRAWING			



6 HOLES 3/8 UNF-2B POSITION AS SHOWN  
EQUI-SPACED ON A Dia 63.5 PCD



BALANCE 2gms Cm  
ESTIMATED CRANK Wt 10.993 Kgms

**Product Spec Sheet**

**Formula Junior FORD MAE 48.35mm STROKE**

**SWINDON RACING ENGINES Ltd.**

<p>NOTES</p> <p>GAS NITRIDE FOR 65 HRS 510 / 515 C TO ACHIEVE CASE DEPTH OF 0,4 / 0,45 mm</p>	<p>PROJECTION </p>	<p>Engine - 1.6 Ltr 8V FORD MAE</p>
	<p>MACHINING TOL. UNLESS STATED GEN TOLS +/- 0.2 GEN M/C 3</p>	<p>Title - CRANKSHAFT 48.35mm STROKE</p>
	<p>DIMENSIONS IN mm</p>	<p>Mat'l - Steel EN40b</p>
	<p>Modelled By - MICK VINES</p>	<p>Treatment -</p>
	<p></p>	<p>Sheet - of Issue -</p> <p>Scale - 1:2 @ A2 Date - 08/03/07</p> <p>Detailed By - MICK Drg No. - FJ 2048</p>